

# Technical data sheet

Product features



## Cooking range electric with static oven

<b>Model</b>	<b>SAP Code</b>	00008578
--------------	-----------------	----------



- Device type: Electric unit
- Power consumption of the zone 1 [kW]: 2,6
- Power consumption of the zone 2 [kW]: 2,6
- Power consumption of the zone 3 [kW]: 2,6
- Power consumption of the zone 4 [kW]: 2,6
- Type of internal part of the appliance 1 (eg oven): Electric
- Type of internal part of the appliance 2 (eg oven): Static
- Protection of controls: IP24
- Material: AISI 304 top plate and cladding

<b>SAP Code</b>	00008578	<b>Number of zones</b>	4
<b>Net Width [mm]</b>	800	<b>Power consumption of the zone 1 [kW]</b>	2,6
<b>Net Depth [mm]</b>	730	<b>Power consumption of the zone 2 [kW]</b>	2,6
<b>Net Height [mm]</b>	900	<b>Power consumption of the zone 3 [kW]</b>	2,6
<b>Net Weight [kg]</b>	91.00	<b>Power consumption of the zone 4 [kW]</b>	2,6
<b>Power electric [kW]</b>	16.700	<b>Type of internal part of the appliance 1 (eg oven)</b>	Electric
<b>Loading</b>	400 V / 3N - 50 Hz	<b>Type of internal part of the appliance 2 (eg oven)</b>	Static

# Technical data sheet

Technical drawing

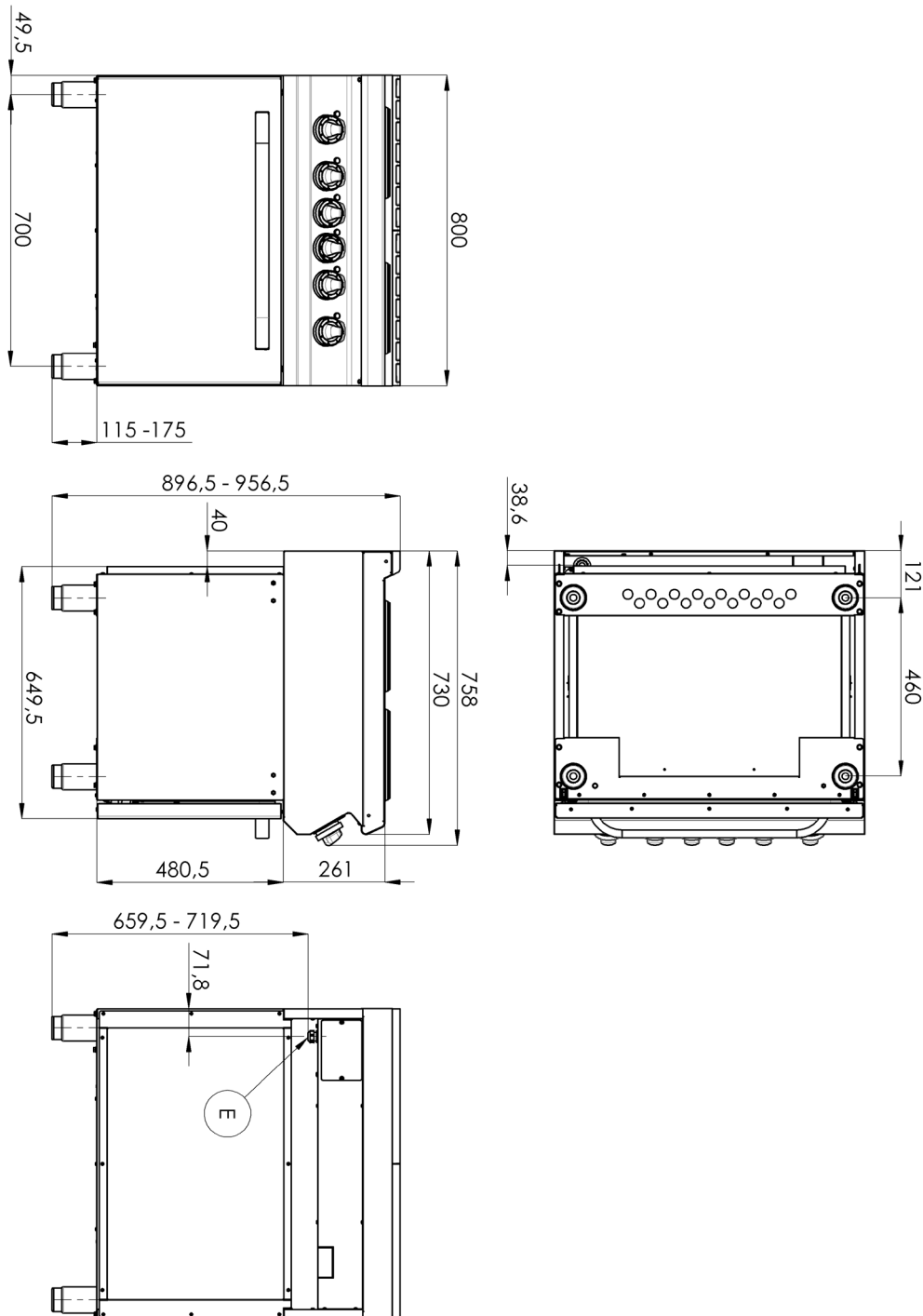


Cooking range electric with static oven

Model

SAP Code

00008578



# Technical data sheet

Technical parameters



## Cooking range electric with static oven

**Model**

**SAP Code**

00008578

**1. SAP Code:**

00008578

**2. Net Width [mm]:**

800

**3. Net Depth [mm]:**

730

**4. Net Height [mm]:**

900

**5. Net Weight [kg]:**

91.00

**6. Gross Width [mm]:**

840

**7. Gross depth [mm]:**

800

**8. Gross Height [mm]:**

1080

**9. Gross Weight [kg]:**

104.00

**10. Device type:**

Electric unit

**11. Construction type of device:**

Stationary

**12. Power electric [kW]:**

16.700

**13. Loading:**

400 V / 3N - 50 Hz

**14. Protection of controls:**

IP24

**15. Exterior color of the device:**

Stainless steel

**16. Material:**

AISI 304 top plate and cladding

**17. Indicators:**

operation

**18. Worktop type:**

Molded - comfortable cleaning maintenance

**19. Worktop material:**

AISI 304

**20. Worktop Thickness [mm]:**

1.50

**21. Number of zones:**

4

**22. Power consumption of the zone 1 [kW]:**

2,6

**23. Power consumption of the zone 2 [kW]:**

2,6

**24. Power consumption of the zone 3 [kW]:**

2,6

**25. Power consumption of the zone 4 [kW]:**

2,6

**26. Maximum device temperature [°C]:**

300

**27. Minimum device temperature [°C]:**

50

**28. Service accessibility:**

Trough the frontal panel

# Technical data sheet

Technical parameters



## Cooking range electric with static oven

**Model**

**SAP Code**

00008578

**29. Adjustable feet:**

Yes

**30. Number of burners/hot plates:**

4

**31. Type of electric cooking zones:**

Oval

**32. Oven Type:**

electrical static

**33. Oven power electric [kW]:**

6.30

**34. Oven size:**

GN 2/1

**35. Type of internal part of the appliance 1 (eg oven):**

Electric

**36. Type of internal part of the appliance 2 (eg oven):**

Static

**37. Gasket:**

Yes

**38. Maximum temperature of the inner chamber [°C]:**

300

**39. Minimum temperature of the inner chamber [°C]:**

50

**40. Cross-section of conductors CU [mm<sup>2</sup>]:**

5

– Výkon (kW): 37 a více (230 V); 64 a více (400 V)